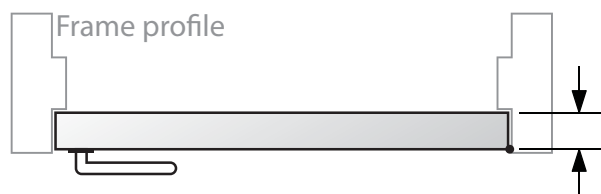
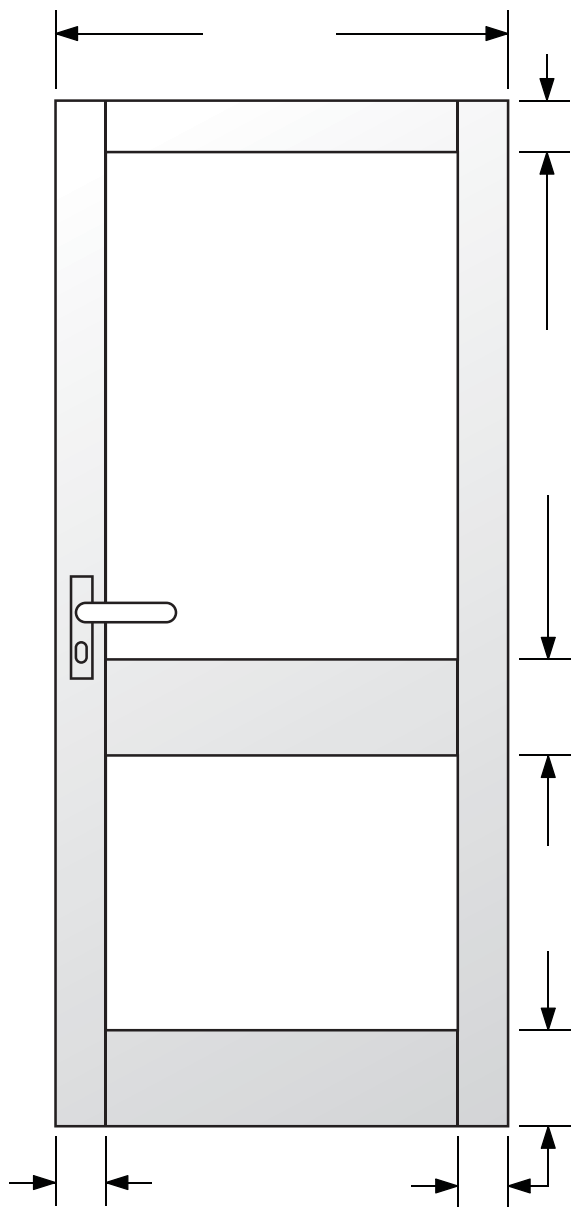


# SPENCE DOORS TECHNICAL DETAIL

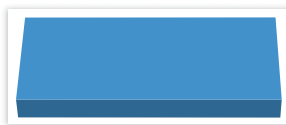
## Joinery Order Form - Double Lite Doors

Choose a The Overall Dimensions

Fill in the top, bottom and side rail widths.



### Choose timber.



MDF - for two pack finish.



Cedar - for stain or paint



Victorian Ash - for stain or paint

OTHER: .....

### Choose Glass type.

- Toughened Clear Glass
- Laminated Clear Glass
- Laminated Translucent Glass
- Other .....



..... mm thickness.

### Select Glazing bead.

