

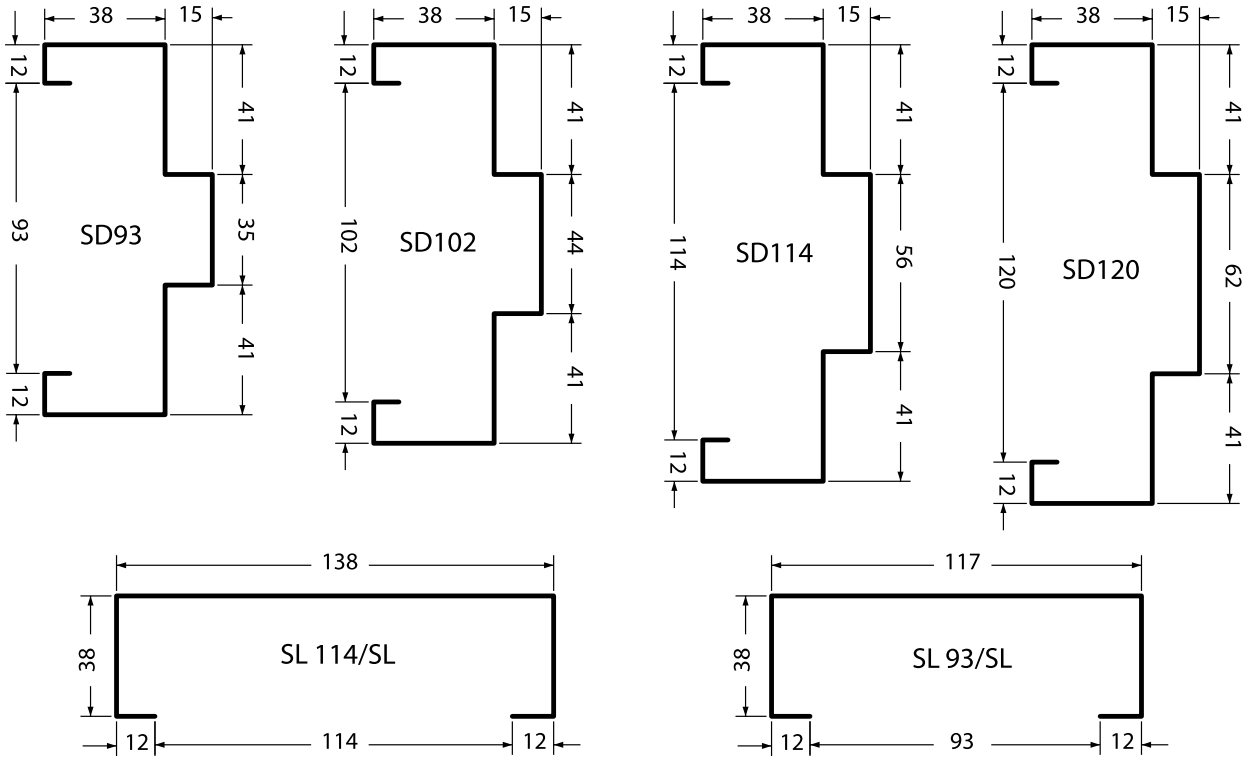
PRESSED METAL



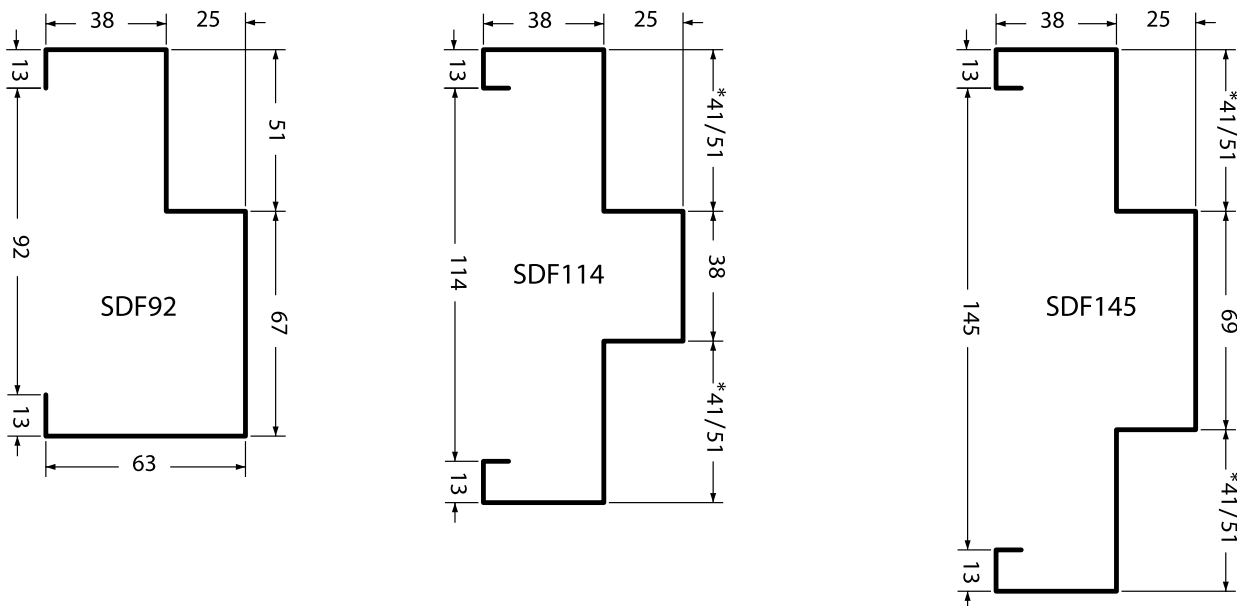
DOOR FRAMES



Non Rated Frame Profiles - Stock Items



Fire Rated Frame Profiles - Stock Items

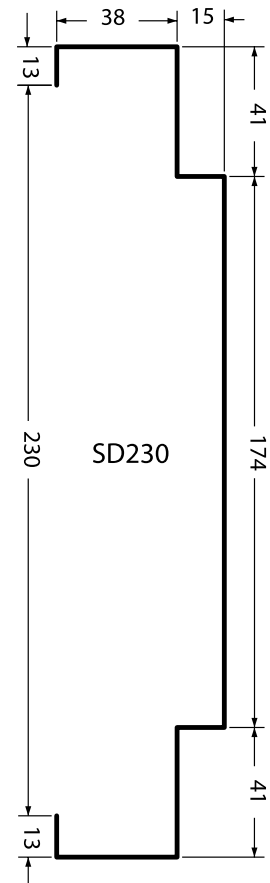
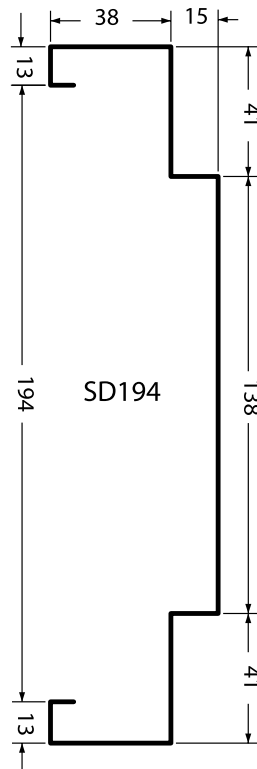
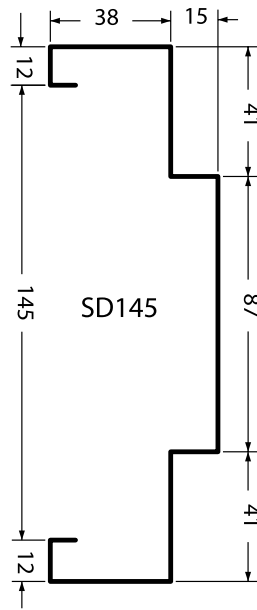
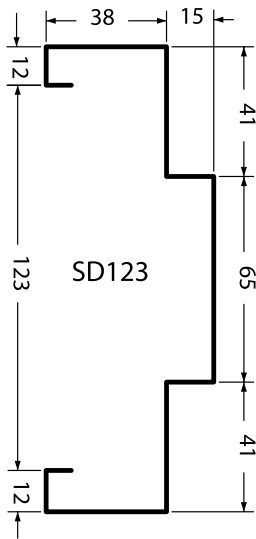


SPENCE DOORS ALSO MANUFACTURES

CUSTOM BUILT FRAME PROFILES TO BUILDERS SPECIFICATION

IN OUR CHELTENHAM AND FOREST GLEN FACTORIES.

DOORS

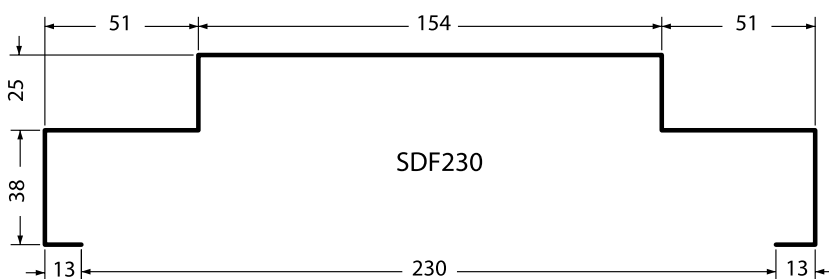
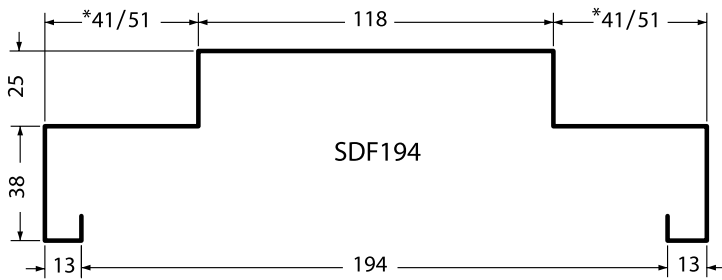


Non Rates Frames

- 1.1mm zinc-coated steel.
- Rebate to suit doors up to 38mm thick.

All Frames

- Universal lock preparations and mortar guard.
- Three heavy duty hinge plates and mortar guard.
- Floor fixing plates.
- Standard single door sizes: 2040 x 620, 720, 820, 870, 920, 1020
- Standard double door sizes: 2040x1240, 1440, 1540, 1640, 1740, 1840, 2040



Fire Rated Frames

- 1.6mm zinc-coated steel.
- Rebate to suit doors 37 or 48mm thick rated doors.

* 41 Rebate in stock QLD only.

SPENCE DOORS ALSO MANUFACTURES

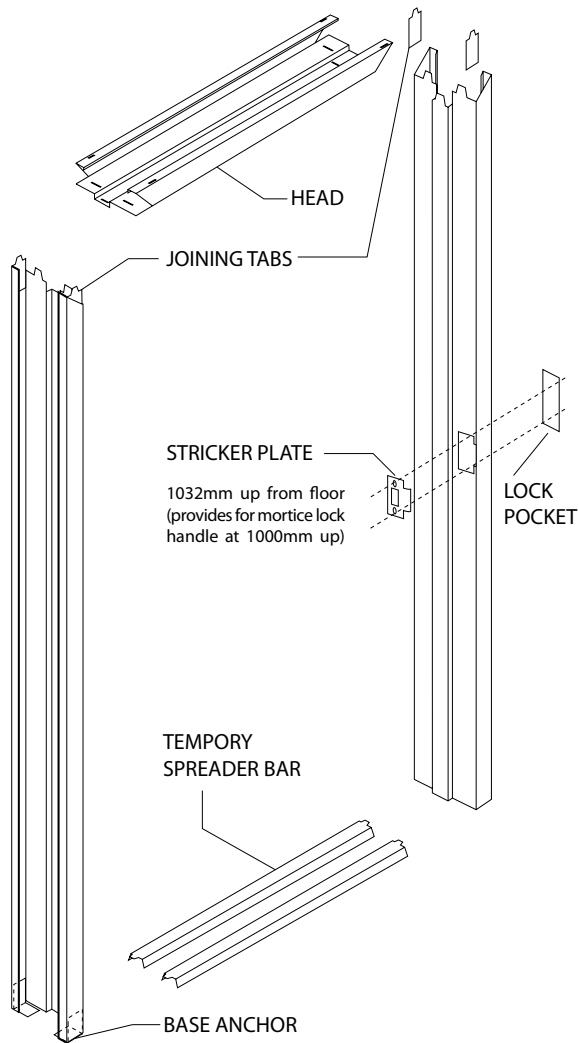
CUSTOM BUILT FRAME PROFILES TO BUILDERS SPECIFICATION

IN OUR CHELTENHAM AND FOREST GLEN FACTORIES.

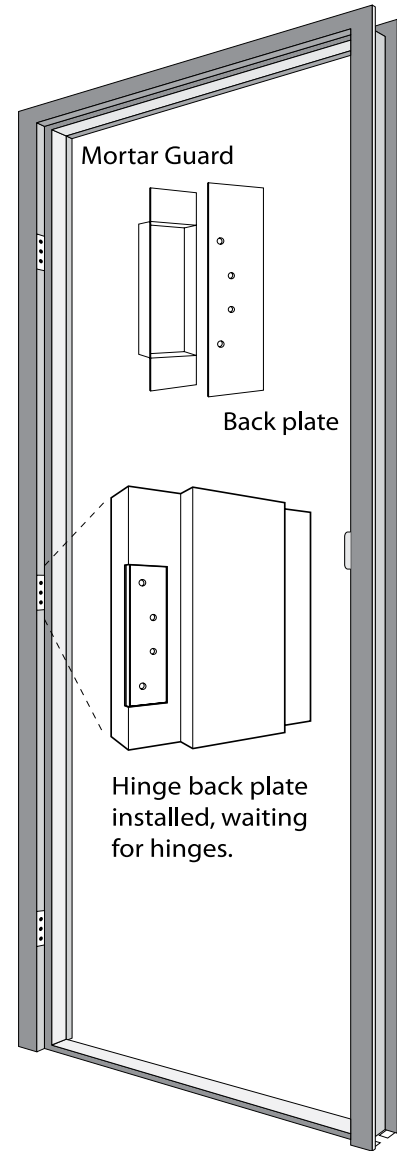
SD = Non Rated Frame profile
SDF = Fire Rated Frame Profile
SL = Sliding, Pivot, Plain or MTI Frame Profile

Knock Down Frames

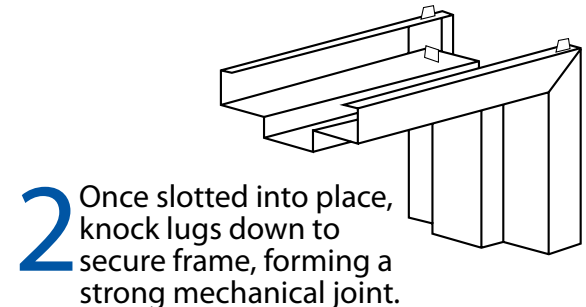
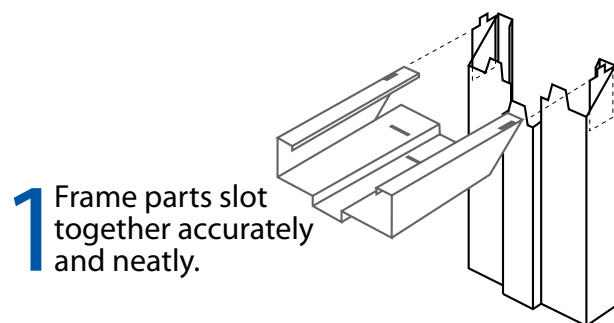
All Spence Door Frames are supplied with fully engineered "Slot and Tab" corner connection methods. This ensures the highest level of accuracy and mechanical strength.



Frames can be site assembled or factory assembled where they are welded for additional strength, ground flush and primed to improve their aesthetic appearance.



Assembling

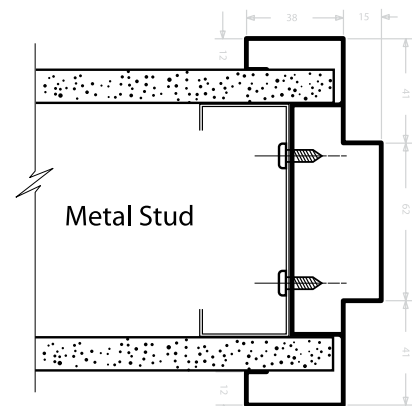


Frame installation for Dry Walls

Standard Frame with Stud Bracket

This is the preferred method of concealed fixing of frames into dry wall applications where high traffic and additional strength is required.

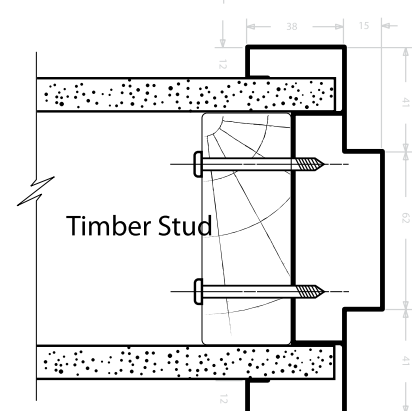
Suitable for use in non-rated and fire rated stud wall configurations.



Standard Frame with Stud Bracket

This is the preferred method of concealed fixing of frames into dry wall applications where high traffic and additional strength is required.

Suitable for use in non-rated and fire rated stud wall configurations.

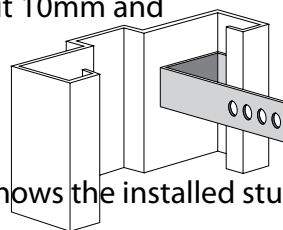


Standard Frame with Stud Clip Fixing

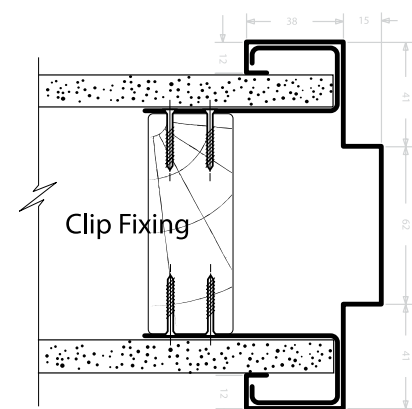
This is a method of fixing knock down frames into dry wall applications.

Suitable for use in non-rated stud wall applications only. Stud clips can be supplied to suit 10mm and 13mm linings

Steel or timber studs may be used



This shows the installed stud clip

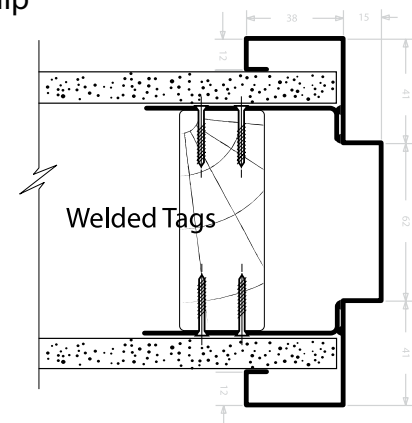


Standard Frame with Welded Stud Tags

This method allows frames to be installed before or after stud work is erected.

Suitable for use in non-rated and fire rated stud wall applications. Stud clips can be supplied to suit a range of different linings

Steel or timber studs may be used



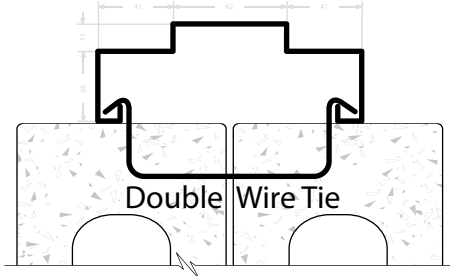
Frame Installation for Masonry Walls

Standard Frame with Wire ties

5 Wire Ties per jam (10 for frame).

Suitable for use in non-rated and fire rated brick and block work walls.

For maximum strength and stability frames should be back filled.



Standard Frame with Dyna-bolt Tube Fixing

Back strap optional.

Recommended four 10mm countersunk dyna-bolts preparations per stile.

Suitable for use in non-rate and fire rated new concrete and previously existing walls.

Standard Frame with Strap for Precast Walls

Frame is inserted into cast before the wall is poured, resulting in a very strong frame.

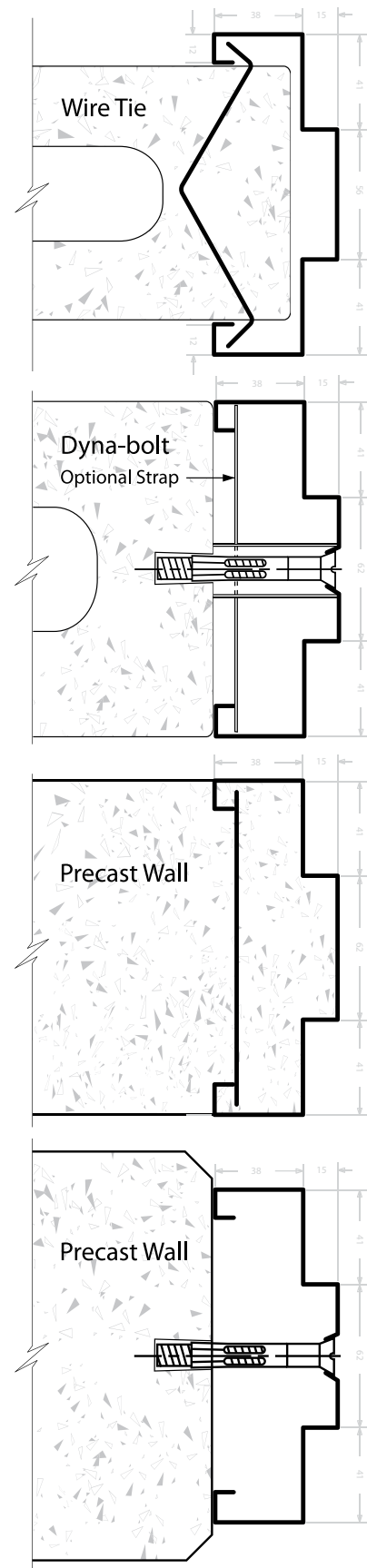
Frame diameter to suit the wall thickness.

Suitable for use in non-rated and fire rated stud wall configurations.

Standard Frame with Dyna-bolt (holes only) for Precast Walls

Recommended four 10mm countersunk dyna-bolt preparations per stile.

Suitable for use in non-rate and fire rated new concrete and previously existing precast walls.

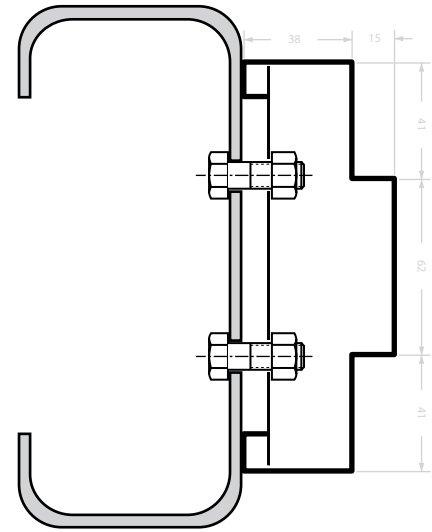


Frame Installation

Standard Frame with Strap for Structural Beam

Frame is inserted into metal purlin wall and bolted in place.

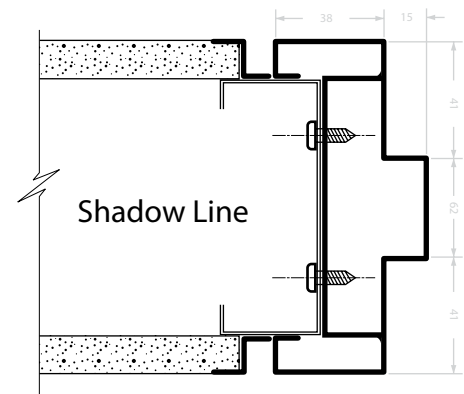
Suitable for use in non-rated wall configurations.



Standard frame with Shadow Line

Offering a truly architectural finish to rendered or plaster wall finishes.

Able to be used on all Spence Doors standard frame range.



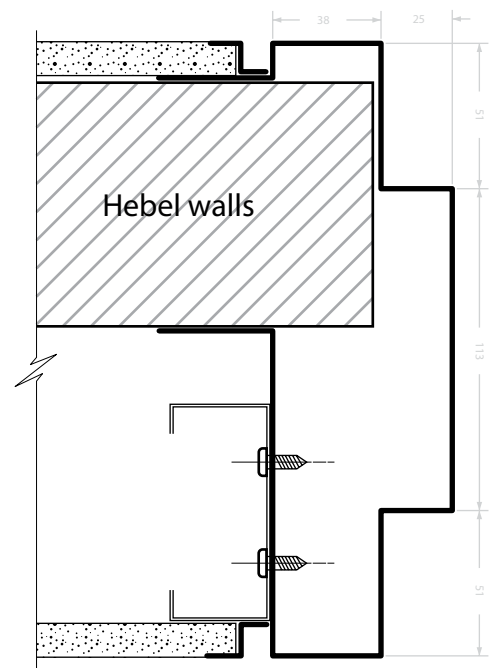
Standard Frame for fixing to Hebel Walls

Frames only available in custom dimensions to builders specifications.

Suitable for use in hebel and partition walls.

Steel or timber studs may be used.

This profile is custom built to suit varying wall types.



CUSTOM FRAMES



SAVE MONEY

**Any Size.
Any Profile.
Locally Made.
High Quality.
Call Today.**

**SPENCE MANUFACTURES
CUSTOM BUILT FRAME PROFILES
TO BUILDERS SPECIFICATION
IN OUR CHELTENHAM AND FOREST GLEN FACTORIES**

BRISBANE

344 Fison Ave East,
Eagle Farm QLD 4009
P 07 3868 1877 F 07 3868 1919

GOLD COAST

1/13 Central Drive,
West Burleigh QLD 4219
P 07 5593 7922 F 07 5593 8911

SUNSHINE COAST

38 Sandalwood Lane,
Forestglen QLD 4556
P 07 5442 3777 F 07 5442 3888

VICTORIA

85-89 Tulip Street,
Cheltenham VIC 3192
P 03 9584 4899 F 03 9584 4435

CANBERRA

11 Wycombe Street,
Queenbeyan ACT 2620
P 02 6299 5011 F 02 6299 5022

NSW

COFFS HARBOUR
1/3 Lawson Crescent,
Coffs Harbour NSW 2450
P 02 6652 8834 F 02 6652 8855



www.spencedoors.com.au